

PATTERN

Open	Show 1/2	Show 3/4	Finals
Junior Working Cowhorse	# 7	# 3	
Senior Working Cowhorse	# 8	# 5	
Junior Reining	# 6	# 4	# 8
Hackamore/Snaffle Bit Reining	# 2	# 8	# 6
Senior Reining	# 7	# 2	# 10
Junior Western Riding	# 2	# 1	# 4
Senior Western Riding	# 1	# 4	# 3

Amateur	Show 1/2	Show 3/4	Finals
Working Cowhorse	# 2	# 9	
Reining	# 6	# 2	# 8
Western Riding	# 3	# 2	# 1

Amateur Select	Show 1/2	Show 3/4	Finals
Reining.....	# 8.....	# 4	# 5

Youth	Show 1/2	Show 3/4	Finals
Reining 13 & Under	# 5	# 8	# 6
Reining 14-18	# 2	# 6	# 4
Western Riding	# 2	# 1	# 4

P A T T E R N

Open	Show 1/2	Show 3/4	Finals
Junior Trail	page 43	page 47	page 50
Senior Trail	page 44	page 47	page 49

Amateur	Show 1/2	Show 3/4	Finals
Showmanship	page 41	page 45	page 48
Trail	page 44	page 47	page 49
Horsemanship	page 41	page 46	page 48
Hunt Seat Equitation.....	page 43	page 46	page 49

Amateur Select	Show 1/2	Show 3/4	Finals
Showmanship	page 41	page 45	page 48
Trail	page 44	page 47	page 49
Horsemanship	page 42	page 46	page 48

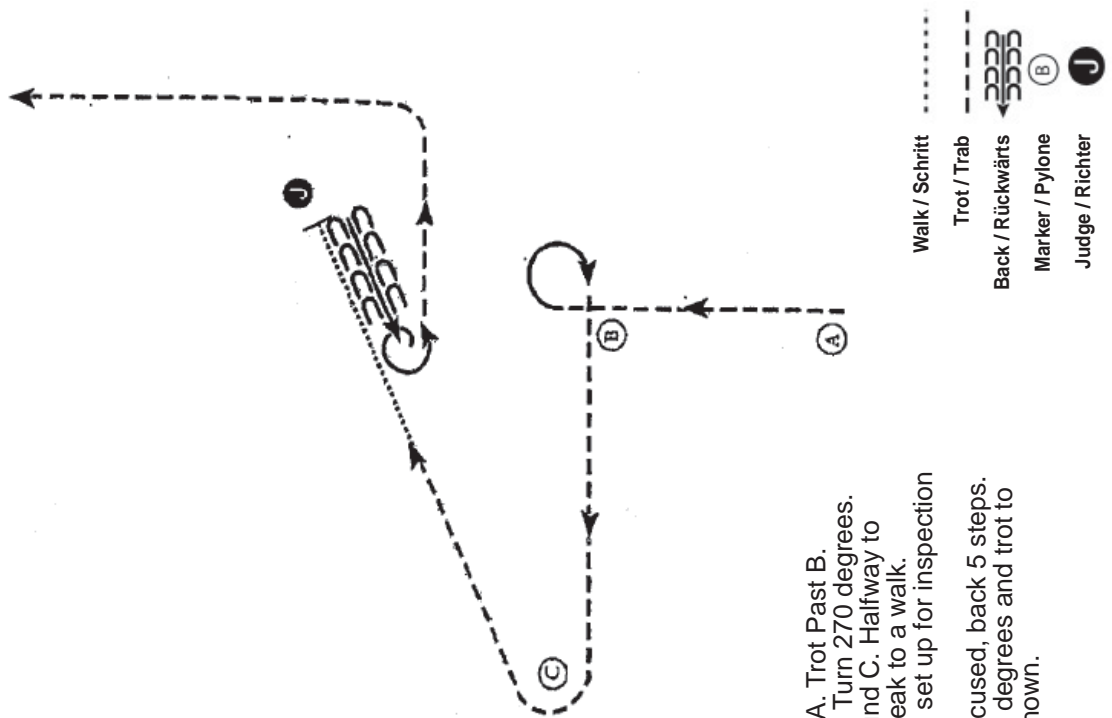
PATTERN

Youth	Show 1/2	Show 3/4	Finals
Showmanship -13	page 41	page 45	page 48
Showmanship 14-18	page 41	page 45	page 48
Trail -13	page 43	page 47	page 50
Trail 14-18	page 44	page 47	page 50
Horsemanship -13	page 42	page 45	page 48
Horsemanship 14-18	page 42	page 46	page 48
Hunt Seat Equitation.....	page 43	page 46	page 49



AQHA Show 1/2

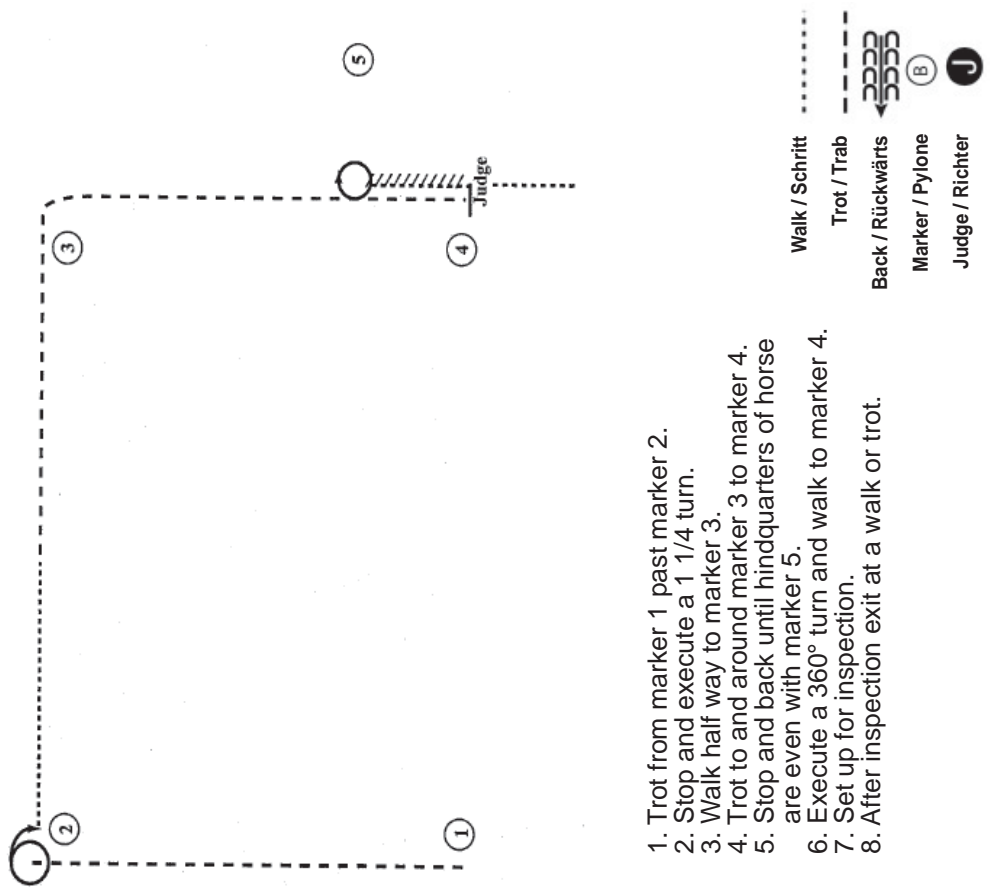
4127 Youth 13 & Under Showmanship



1. Begin at A. Trot Past B.
2. Stop and Turn 270 degrees. Trot around C. Halfway to judge, break to a walk.
3. Stop and set up for inspection at judge.
4. When excused, back 5 steps.
5. Turn 405 degrees and trot to exit as shown.

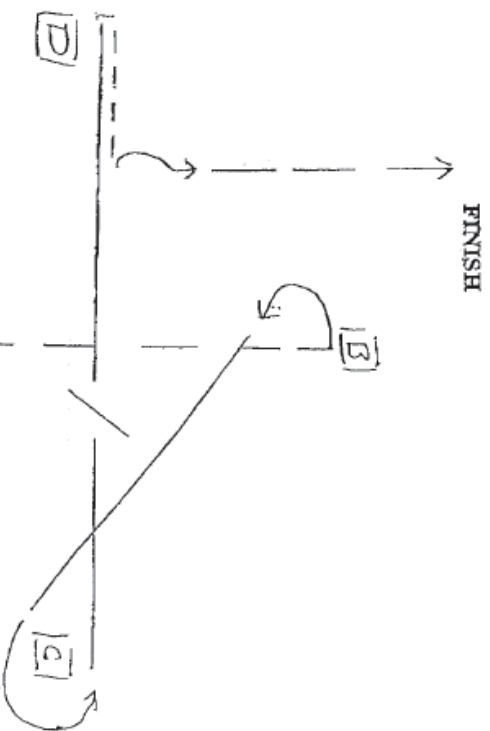
AQHA Show 1/2

4128 Youth 14-18 Showmanship
2120 Amateur Showmanship
2128 Amateur Select Showmanship



1. Trot from marker 1 past marker 2.
2. Stop and execute a 1/4 turn.
3. Walk half way to marker 3.
4. Trot to and around marker 3 to marker 4.
5. Stop and back until hindquarters of horse are even with marker 5.
6. Execute a 360° turn and walk to marker 4.
7. Set up for inspection.
8. After inspection exit at a walk or trot.

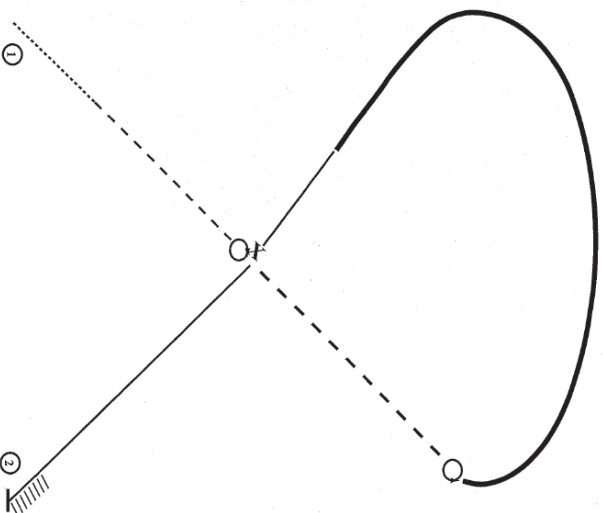
AQHA Show 1/2
4407 Youth 13 & Under Horsemanship



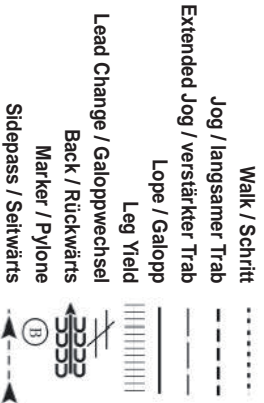
1. Begin at marker A, extend jog to B.
2. Stop in front of B, do left rollback.
3. Lope to and around marker C, left lead.
4. Simple or flying change, continue loping right lead to D.
5. Back four steps.
6. 90° right turn & jog to finish.
7. Line up as instructed on far rail.



AQHA Show 1/2
4408 Youth 14-18 Horsemanship
2400 Amateur Horsemanship
2408 Amateur Select Horsemanship

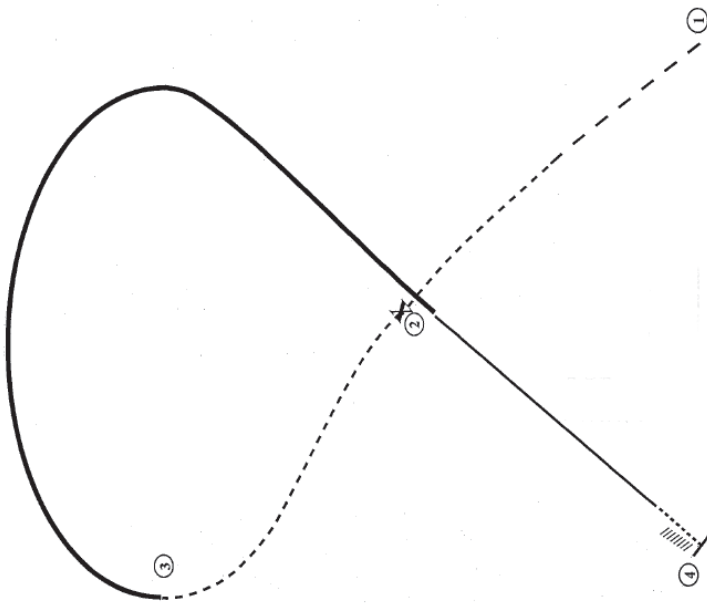


1. Starting at marker 1, walk 15 feet (4.5 meter).
2. Jog to the middle of the arena.
3. 360° turn to the right.
4. Extend jog.
5. Stop, 360° turn to the left.
6. Lope with increase speed around end of arena.
7. Collect to the lope before approaching the middle of the arena.
8. Change leads at the middle of the arena.
9. Lope on the right lead to marker 2.
10. Stop and back 2 horse lengths. Exit at the walk or jog.

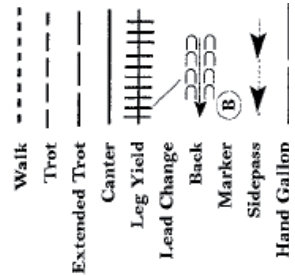


AQHA Show 1/2

4520 Youth Hunt Seat Equitation
2520 Amateur Hunt Seat Equitation

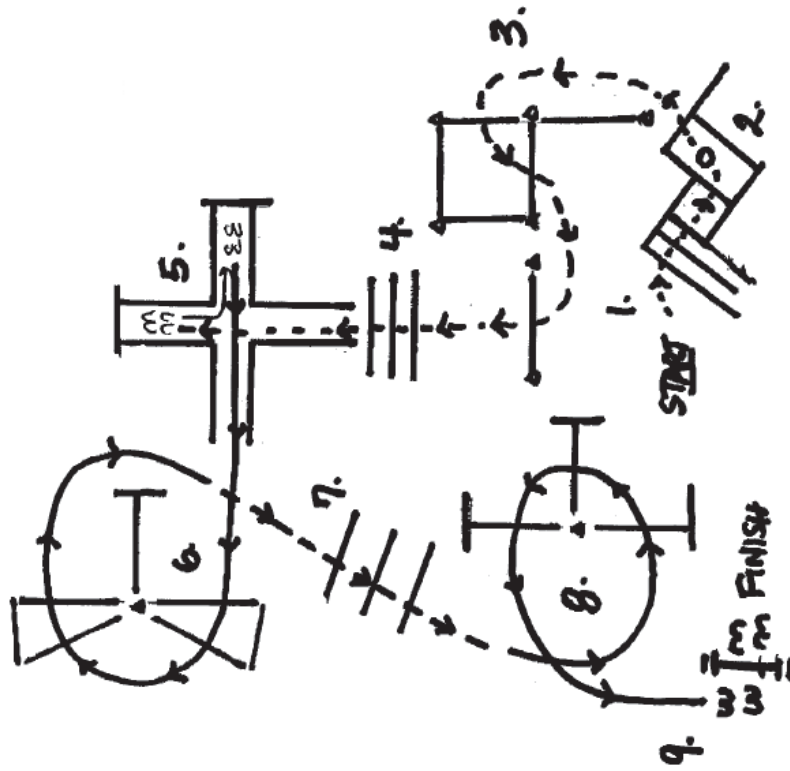


1. Sitting trot from marker 1 to halfway to marker 2.
2. Posting trot to marker 2.
3. Change diagonals at marker 3.
4. Hand gallop from marker 3 to marker 2.
5. Collected, cadenced canter at marker 2.
6. Approximately 20 feet (6 meter) from marker 4, transition to a walk without breaking forward motion.
7. Stop at marker 4 and back 2 horse lengths.
8. Exit at a walk or trot.



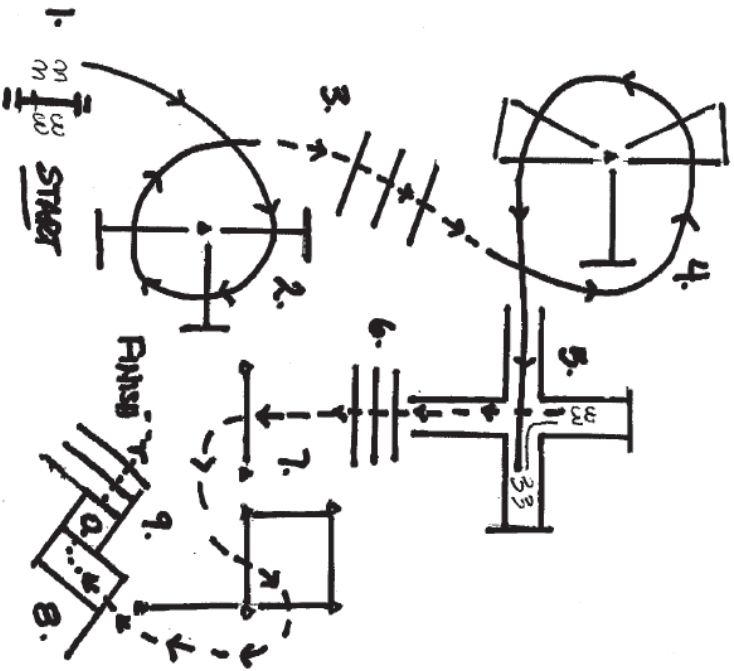
AQHA Show 1/2

4387 Youth 13 & Under Trail
1381 Open Junior Trail



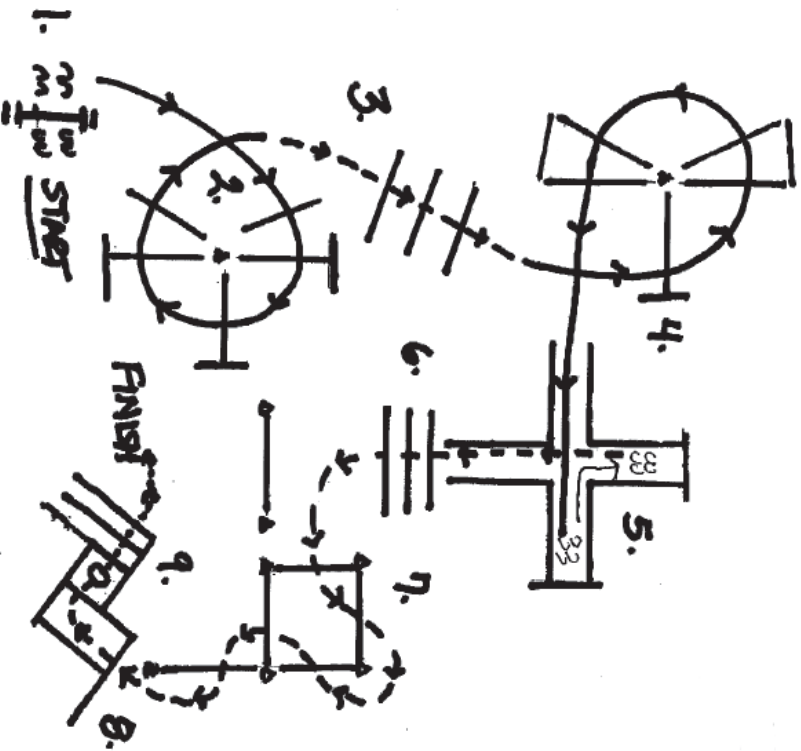
1. Walk over poles.
2. Walk into box, 360° either way, walk out.
3. Jog thru serpentine.
4. Jog over poles, jog into chute.
5. Back thru poles, lope out (RL).
6. Lope over poles (RL).
7. Jog over poles.
8. Lope over poles (LL), lope up to gate.
9. Gate (LH) ride thru, close.

AQHA Show 1/2
 4388 Youth 14-18 Trail
 2380 Amateur Trail
 2388 Amateur Select Trail



1. Gate (RH) ride thru, close.
2. Lope over poles (RL).
3. Jog over poles.
4. Lope over poles (LL).
5. Lope into chute (LL), back thru poles, jog out.
6. Jog over poles.
7. Jog thru serpentine.
8. Jog over pole, walk into box, 360° either way, walk out box.
9. Walk over poles.

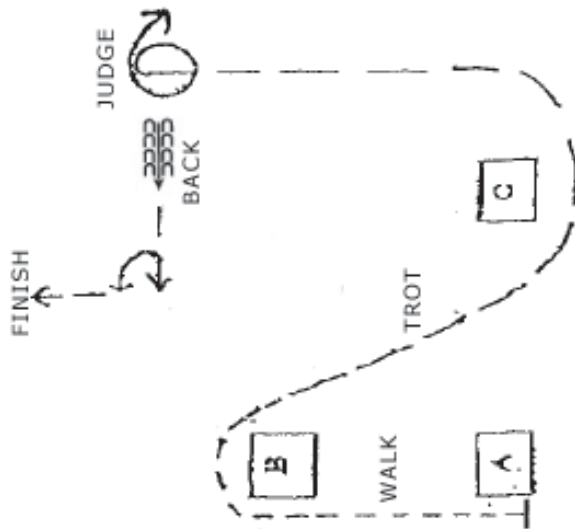
AQHA Show 1/2
 1382 Open Senior Trail



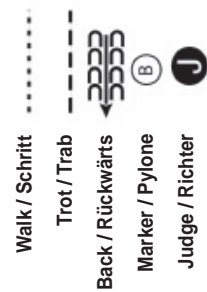
1. Gate (RH) ride thru, close.
2. Lope over poles (RL).
3. Jog over poles.
4. Lope over poles (LL), lope into chute.
5. Back thru poles, jog out chute.
6. Jog over poles.
7. Jog thru serpentine.
8. Jog over poles, jog into box, stop, 360° either way, walk out box.
9. Walk over poles.

AQHA Show 3/4

4127 Youth 13 & Under Showmanship
 4128 Youth 14-18 Showmanship
 2120 Amateur Showmanship
 2128 Amateur Select Showmanship

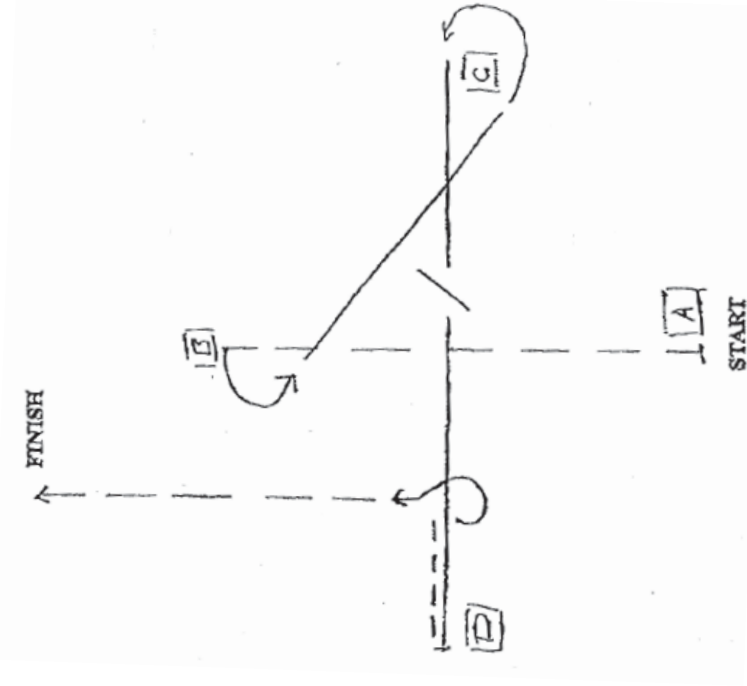


1. Begin at marker A, walk to and around marker B.
2. Continue and trot around marker C, straight to the judge.
3. Stop and set up for inspection.
4. When dismissed, perform a 1/4 turns to the right.
5. Back six steps.
6. Perform a 90 degree pull turn left, and trot to finish.



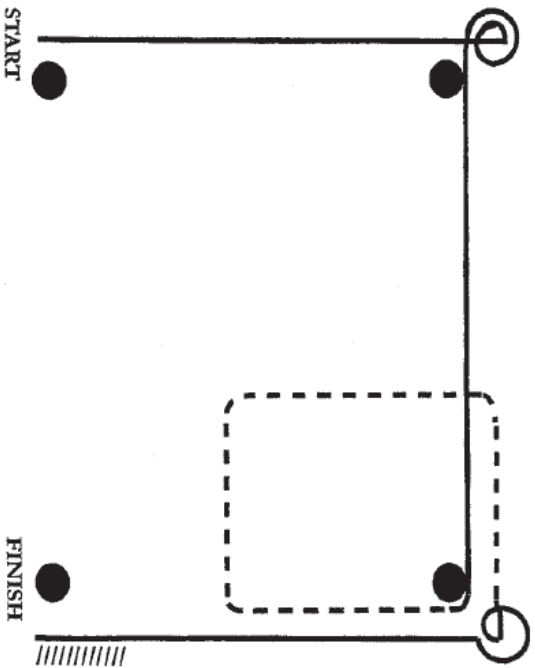
AQHA Show 3/4

4407 Youth 13 & Under Horsemanship



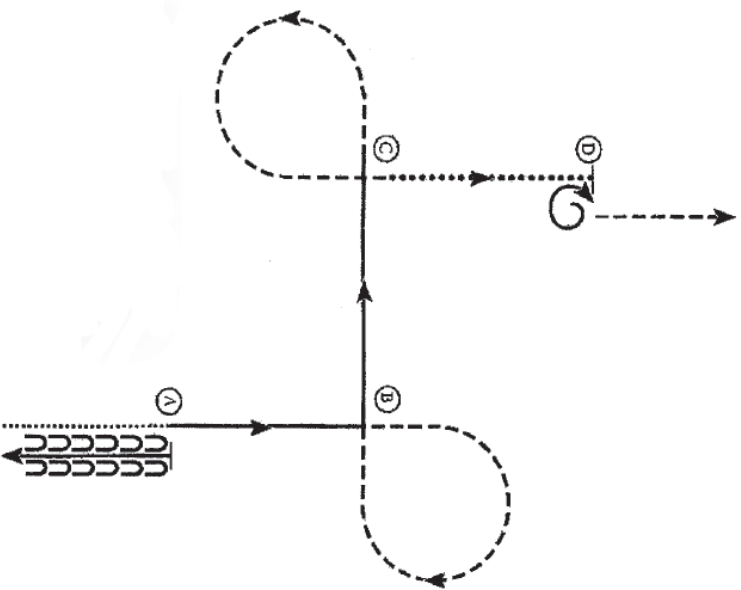
1. Begin at marker A, extend jog to B.
2. Stop in front of B, do left rollback.
3. Lope with **speed** to and around marker C, left lead.
4. Simple or flying change, continue loping right lead to D.
5. Back four steps.
6. 270° left turn & extend jog to finish.
7. Line Up as instructed on far rail.

AQHA Show 3/4
 4408 Youth 14-18 Horsemanship
 2400 Amateur Horsemanship
 2408 Amateur Select Horsemanship

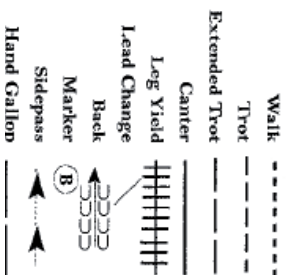


1. Lope on left lead to second marker.
2. Stop and do 1 3/4 turn to the left.
3. Lope off immediately after turn on left lead to third marker.
4. Break to jog.
5. Jog square with speed.
6. Complete square and stop.
7. Stop and do 1 1/4 turn to the right.
8. Lope to fourth marker on right lead.
9. Stop and back.
10. Exit arena.

AQHA Show 3/4
 4520 Youth Hunt Seat Equitation
 2520 Amateur Hunt Seat Equitation

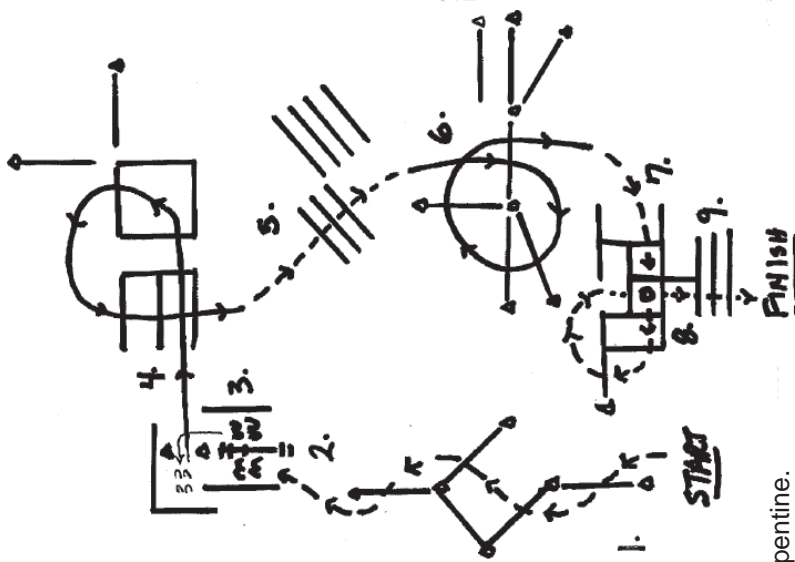


1. Begin at A. Back 6 steps.
2. Walk to A. Canter left lead to B.
3. Trot on left diagonal at B.
4. When back to B, canter right lead to C.
5. At C, trot on right diagonal.
6. When back to C, hand gallop on left lead to D. Halt. Execute 360 degree turn on forehand to the right. Exit at a trot.



AQHA Show 3/4

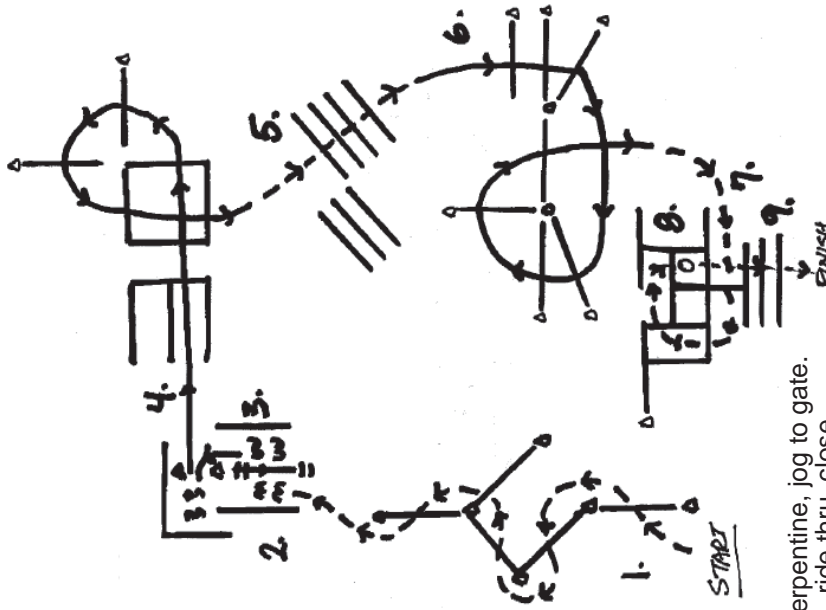
- 4387 Youth 13 & Under Trail
- 4388 Youth 14-18 Trail
- 1381 Open Junior Trail



1. Jog thru serpentine.
2. Gate (RH), ride thru, close.
3. Back thru cones.
4. Lope over poles (LL).
5. Jog over poles.
6. Lope over poles (RL).
7. Jog over poles.
8. Walk into box, 360° either way, walk out.
9. Walk over poles.

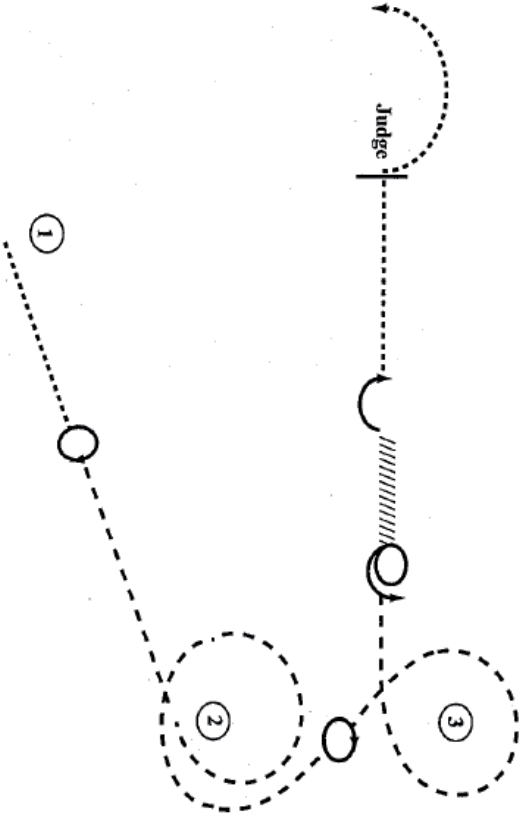
AQHA Show 3/4

- 1382 Open Senior Trail
- 2380 Amateur Trail
- 2388 Amateur Select Trail



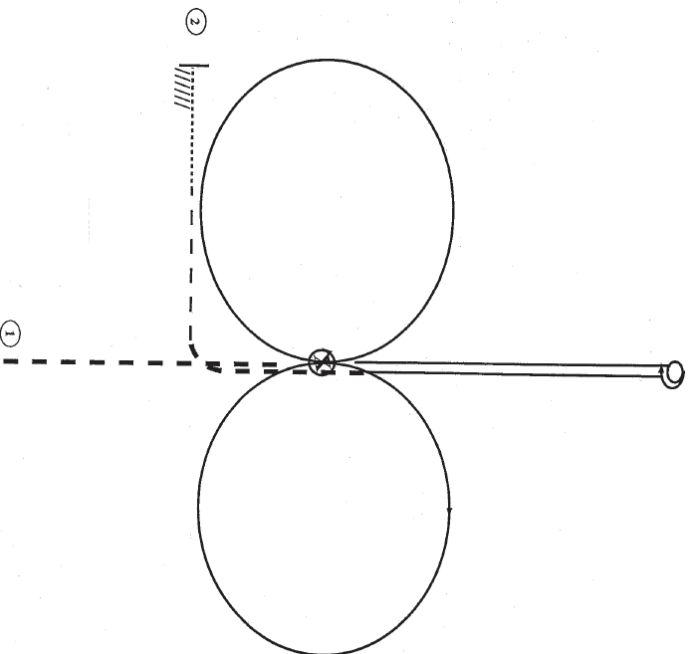
1. Jog thru serpentine, jog to gate.
2. Gate (RH), ride thru, close.
3. Back thru cones.
4. Lope over poles (LL).
5. Jog over poles.
6. Lope over poles (RL).
7. Jog over poles.
8. Walk into box, 360° either way, walk out.
9. Walk over poles.

ECQH 2009 Finals
all Showmanships



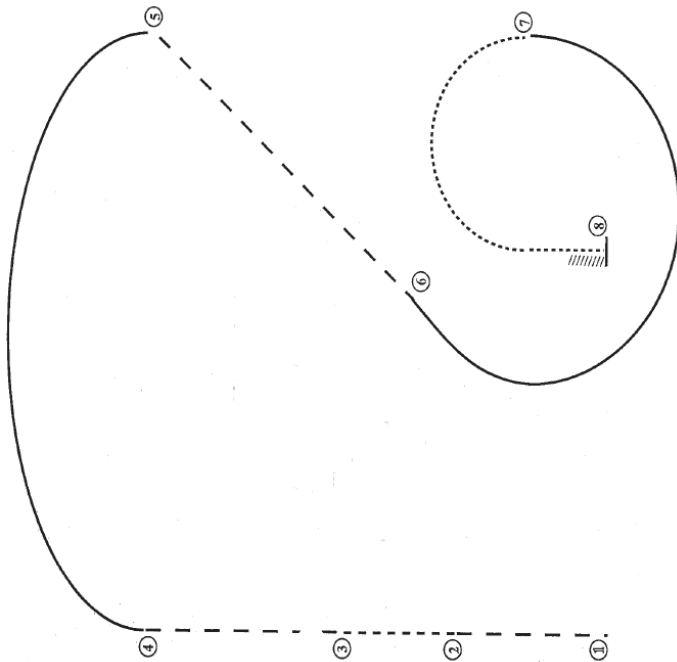
1. Start walking at marker 1.
2. Halfway to marker 2, execute a 360° turn.
3. Trot to and around marker 2 and halfway to marker 3.
4. Stop and execute a 360° turn.
5. Trot around marker 3.
6. After crossing path of travel, stop and execute 1 1/2 turns.
7. Back 15 feet (4,5 meter).
8. Perform a 180° turn and walk to the judge.
9. Set up for inspection.
10. After inspection, exit at a walk or trot.

ECQH 2009 Finals
all Horsemanship



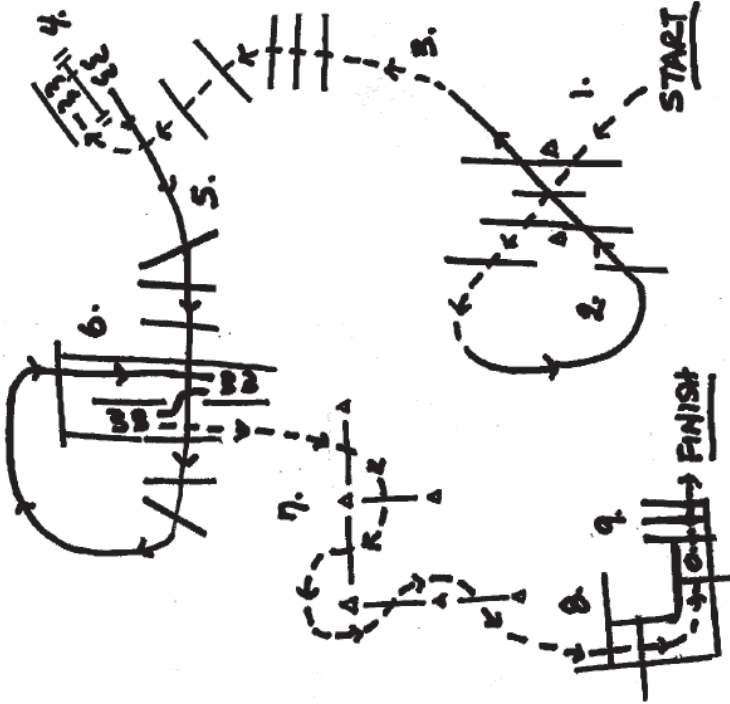
1. Starting at marker 1, execute an extended jog to the middle of the arena.
2. Stop and make a 360° turn to the left.
3. Lope a moderately paced, even cadenced circle to the right.
4. Change leads and lope a circle with speed to the left.
5. Continue to lope with speed to the end of the arena.
6. Stop and make 1 1/2 turns to the right.
7. Lope back to the center of the arena on the right lead.
8. Execute the extended jog halfway to marker 1 and make a 90° turn to the right.
9. Jog halfway to marker 2 and without halting, transition to the walk.
10. Walk to marker 2, stop and back. Exit at the walk or jog.

ECQH 2009 Finals
all Hunt Seat Equitations



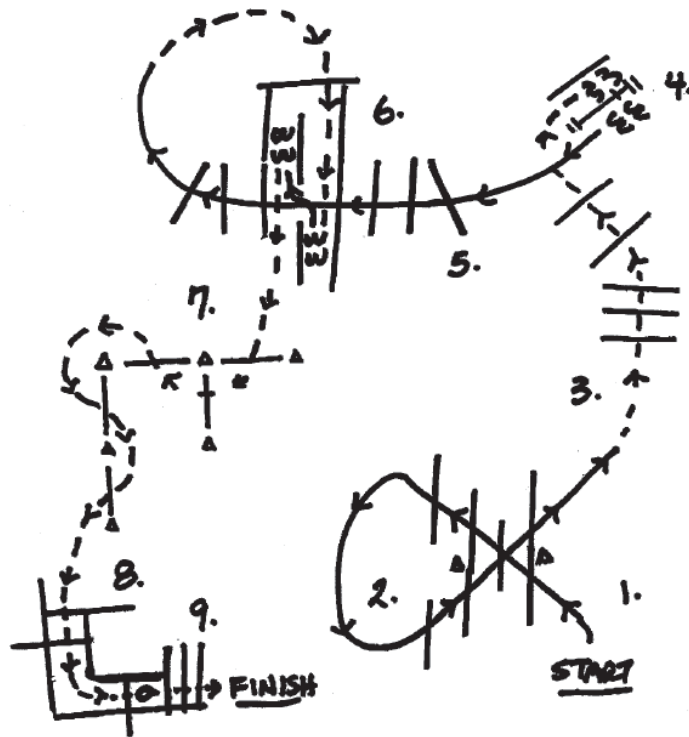
1. Posting trot, right diagonal from marker 1 to marker 2.
2. Walk to marker 3.
3. Posting trot, left diagonal to marker 4.
4. Right lead canter, showing 2-point position, to marker 5.
5. Posting trot, left diagonal, to marker 6.
6. Left lead canter to marker 7.
7. Sitting trot to marker 8.
8. Halt and back 2 horse lengths. Exit at a walk or trot.

ECQH 2009 Finals
Amateur Trail
Amateur Select Trail
Open Senior Trail



1. Jog over poles.
2. Lope over poles (LL)
3. Jog over poles up to gate.
4. Gate (RH), ride thru, close.
5. Lope over poles (RL)
6. Lope into chute (RL), back chute to chute, jog out.
7. Jog thru serpentine.
8. Jog into 2nd box, stop in box, 360° either way, walk out.
9. Walk over poles.

ECQH 2009 Finals
 Trail Youth 13 & Under
 Trail Youth 14-18
 Open Junior Trail



1. Lope over poles (LL).
2. Lope over poles (LL).
3. Jog over pole up to gate.
4. Gate (RH), ride thru, close.
5. Lope over poles (RL).
6. Jog into chute, back chute to chute, jog out.
7. Jog thru serpentine.
8. Jog thru 1st box, walk into 2nd box, 360° either way, walk out.
9. Walk over poles.